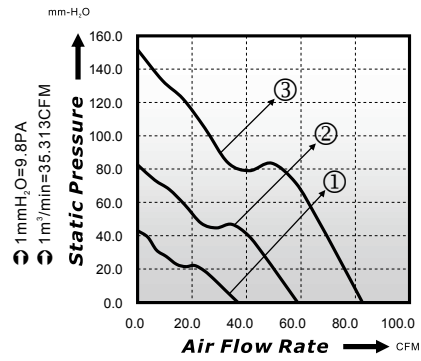


# 60x60x38mm

## Model B

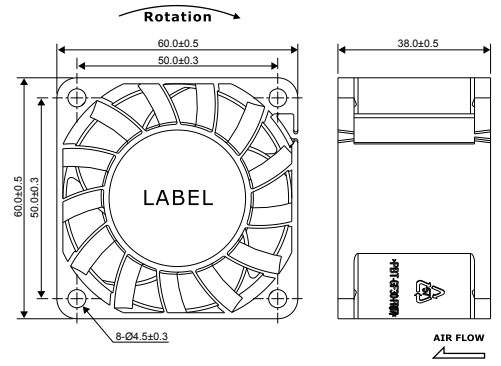


### P-Q Curve (At Rated Voltage)



### Dimensions Drawing

Unit: (mm)



Model No	Bearing (*)	Rated Voltage (VDC)	Rated Current (A)	Power Consumption (Watts)	Speed (rpm)	Air Flow (CFM)	Static Pressure (mmH <sub>2</sub> O)	Noise (dBA)	Curve
ED06038-12LB	●	12	0.46	5.52	10000	36.7	43.0	54.0	1
ED06038-12MB	●	12	1.32	15.84	16000	58.6	82.5	64.5	2
ED06038-12HB	●	12	3.84	46.08	22500	82.4	151.6	71.5	3
ED06038-24LB	●	24	0.23	5.52	10000	36.7	43.0	54.0	1
ED06038-24MB	●	24	0.66	15.84	16000	58.6	82.5	64.5	2
ED06038-24HB	●	24	1.92	46.08	22500	82.4	151.6	71.5	3

\* Bearing Type: ○ Sleeve ● Two Ball ⊕ Hydro-Dynamic